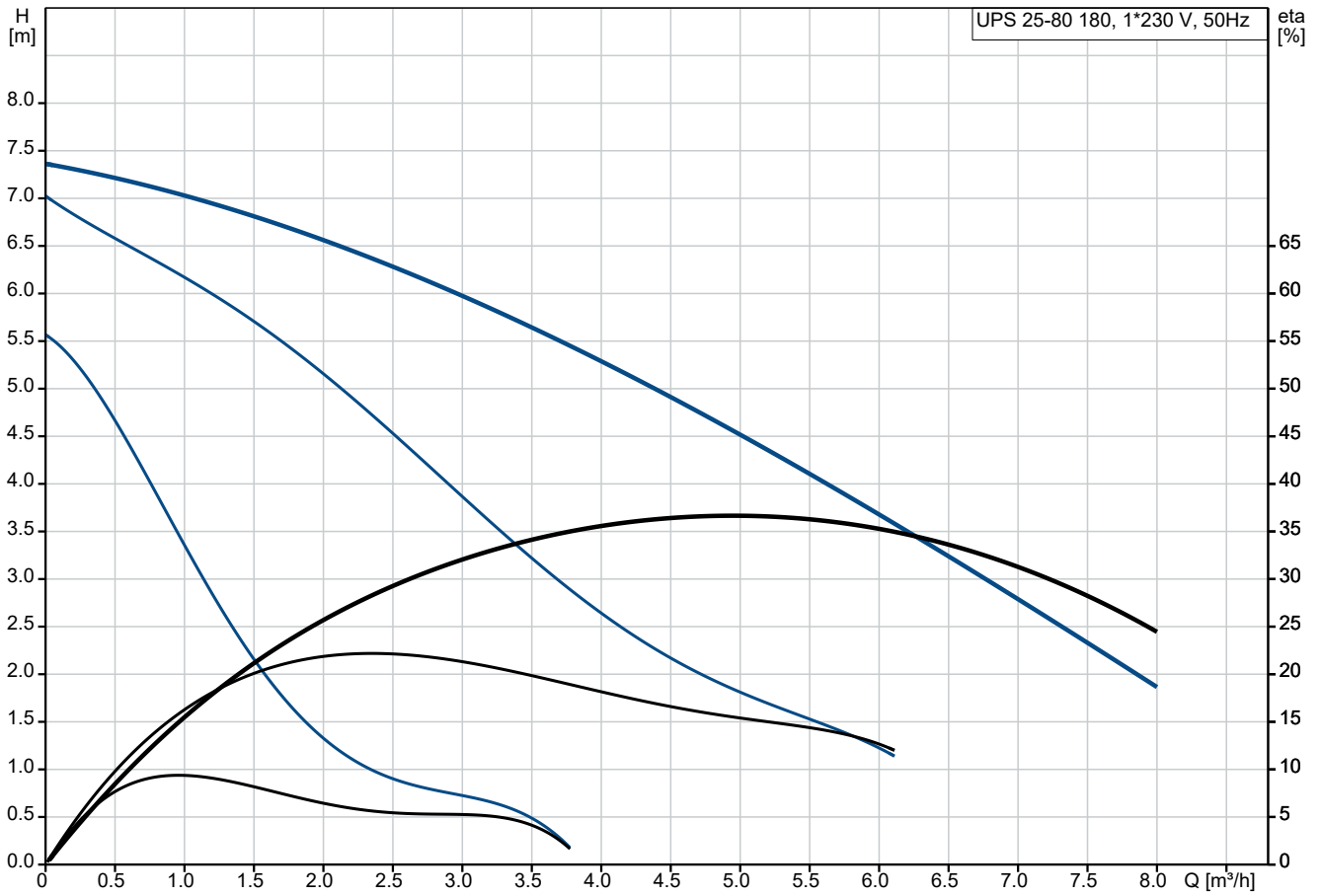
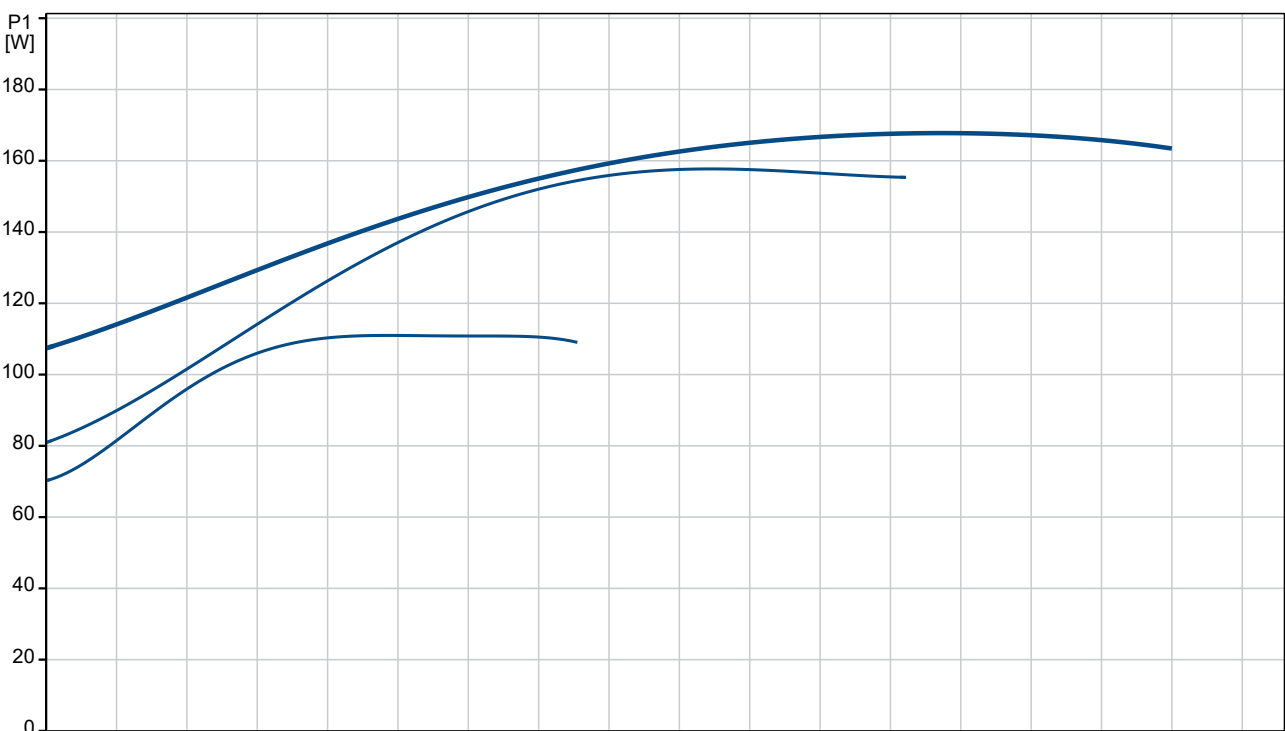


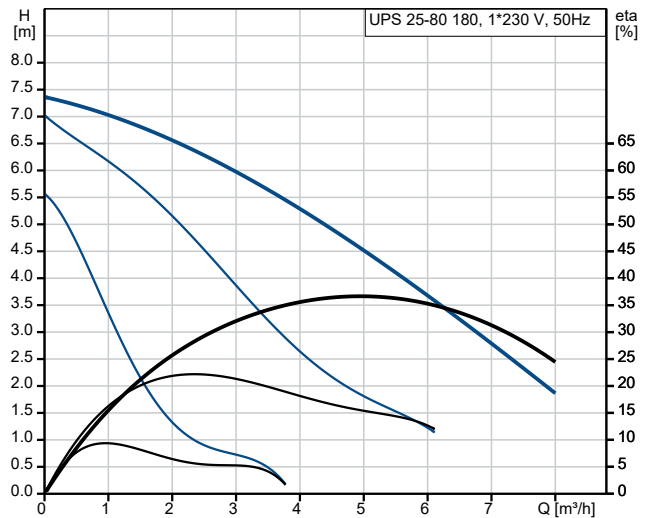
95906429 UPS 25-80 180 50 Hz



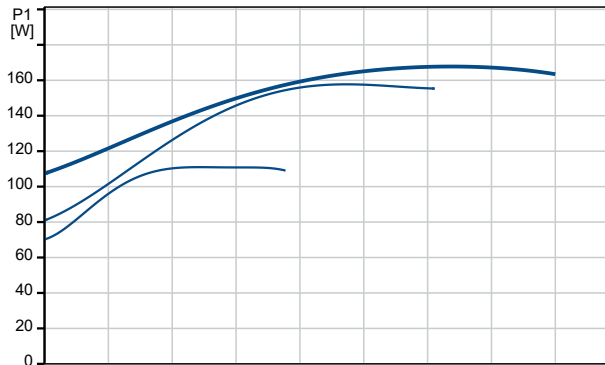
Pumped liquid = Water
 Liquid temperature during operation = 60 °C
 Density = 983.2 kg/m³



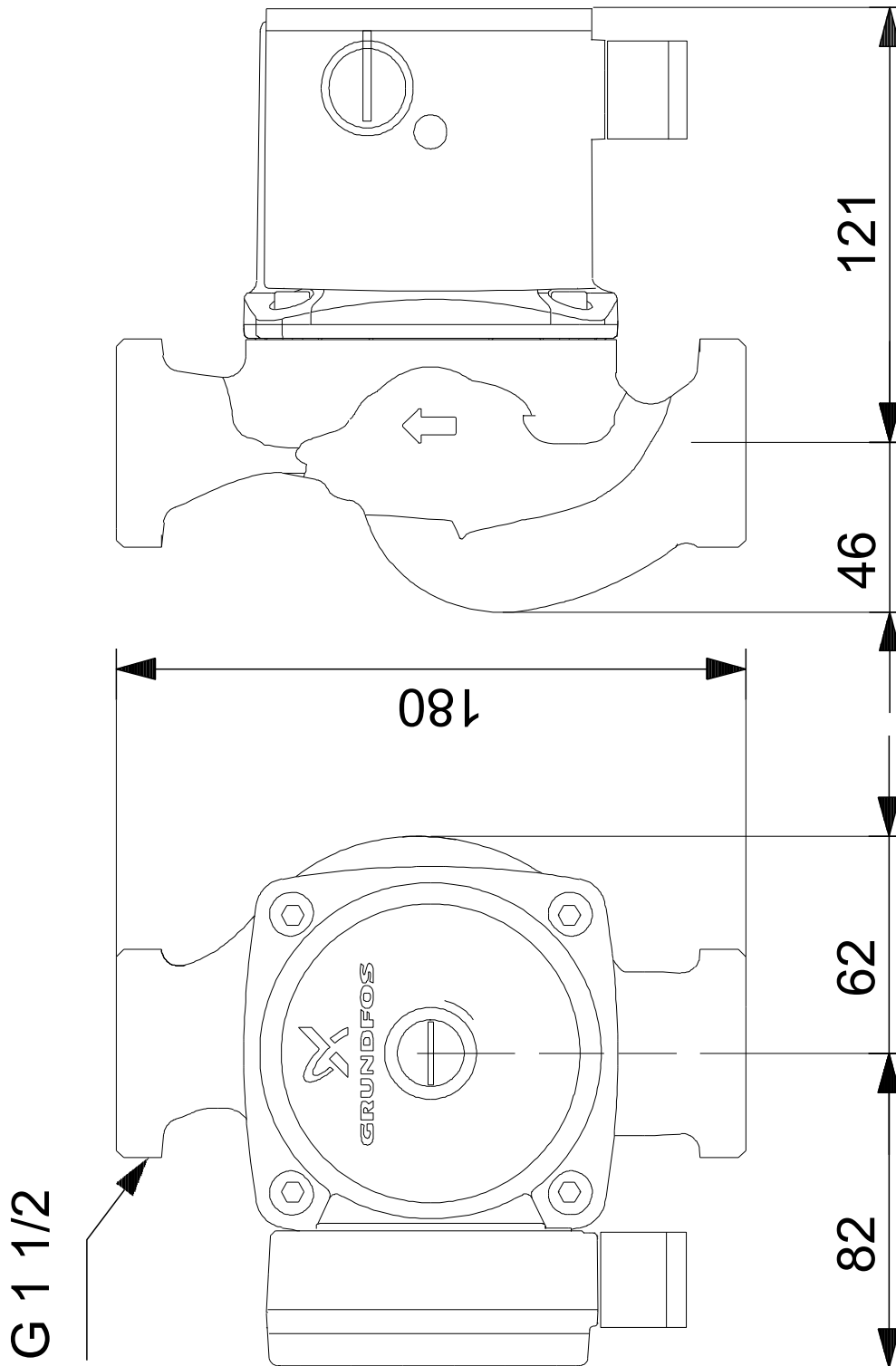
Description	Value
General information:	
Product name:	UPS 25-80 180
Product No:	95906429
EAN number:	5700310343952
Price:	
Technical:	
Speed no:	3
Rated flow:	4.8 m ³ /h
Rated head:	4.676 m
Maximum head:	80 dm
TF class:	110
Approvals:	EAC,RCM
Materials:	
Pump housing:	Cast iron
Pump housing:	EN 1561 EN-GJL-150
Pump housing:	ASTM 30 B
Impeller:	Composite
Impeller:	PES+30% GF
Installation:	
Amb. max at 80 dgr C liquid:	40 °C
Maximum operating pressure:	10 bar
Type of connection:	G
Size of connection:	1 1/2 inch
Pressure rating for connection:	PN 10
Port-to-port length:	180 mm
Liquid:	
Pumped liquid:	Water
Liquid temperature range:	-25 .. 110 °C
Selected liquid temperature:	60 °C
Density:	983.2 kg/m ³
Electrical data:	
Power input in speed 1:	110 W
Power input in speed 2:	155 W
Max. power input:	165 W
Mains frequency:	50 Hz
Rated voltage:	1 x 230 V
Current in speed 1:	0.5 A
Current in speed 2:	0.7 A
Current in speed 3:	0.7 A
Capacitor size - run:	4 µF
Enclosure class (IEC 34-5):	X2D
Insulation class (IEC 85):	F
Built-in motor protection:	CONTACT
Thermal protec:	internal
Others:	
Terminal box position:	9H
Net weight:	4.36 kg
Gross weight:	4.64 kg
Shipping volume:	0.008 m ³



Pumped liquid = Water
 Liquid temperature during operation = 60 °C
 Density = 983.2 kg/m³



95906429 UPS 25-80 180 50 Hz



Note! All units are in [mm] unless others are stated.
Disclaimer: This simplified dimensional drawing does not show all details.